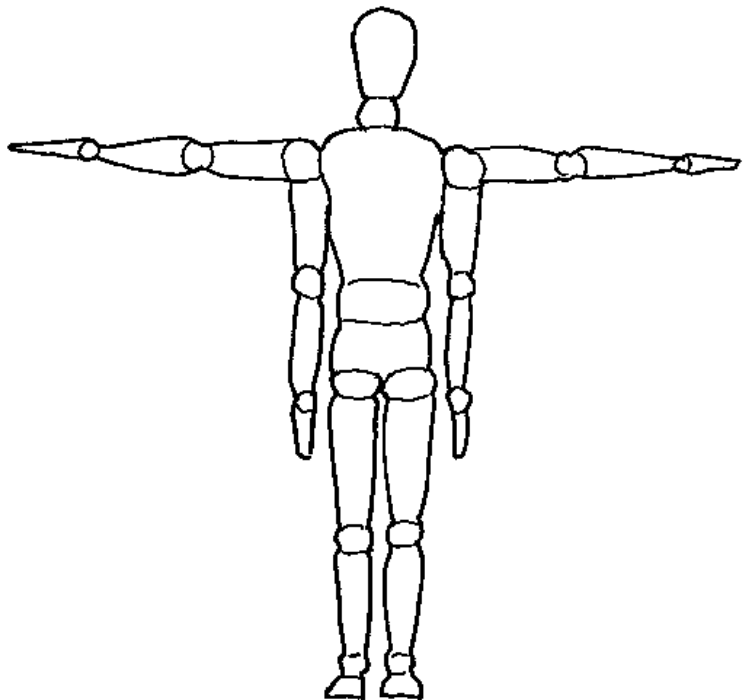




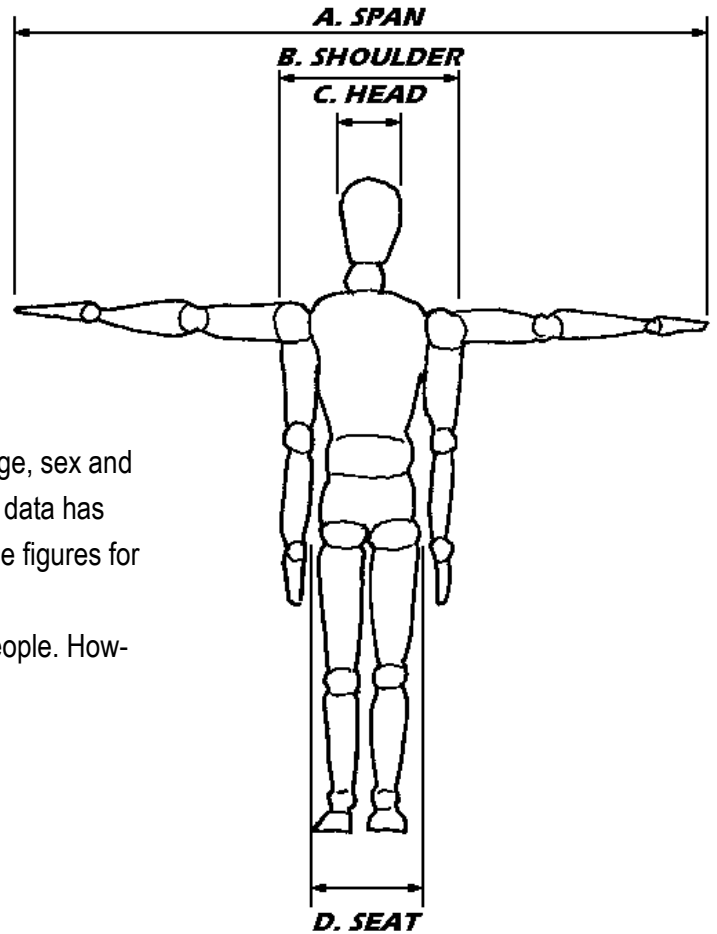
Ergonomic Data



Name:-.....

Form:-.....

		4 Years	8 Years	12 Years	14 Years	Adult
A SPAN	F	1035	1312	1580	1742	1643
	M	1049	1296	1560	1838	1798
B SHOULDER	F	246	282	330	363	399
	M	239	290	330	386	455
C HEAD	F	137	142	145	147	147
	M	142	145	147	152	155
D SEAT	F	196	231	285	325	363
	M	188	229	269	323	335



The length of an arm or a leg will vary according to the age, sex and physique of the person being measured. Anthropometric data has been gathered from large numbers of people and average figures for various measurements have been established.

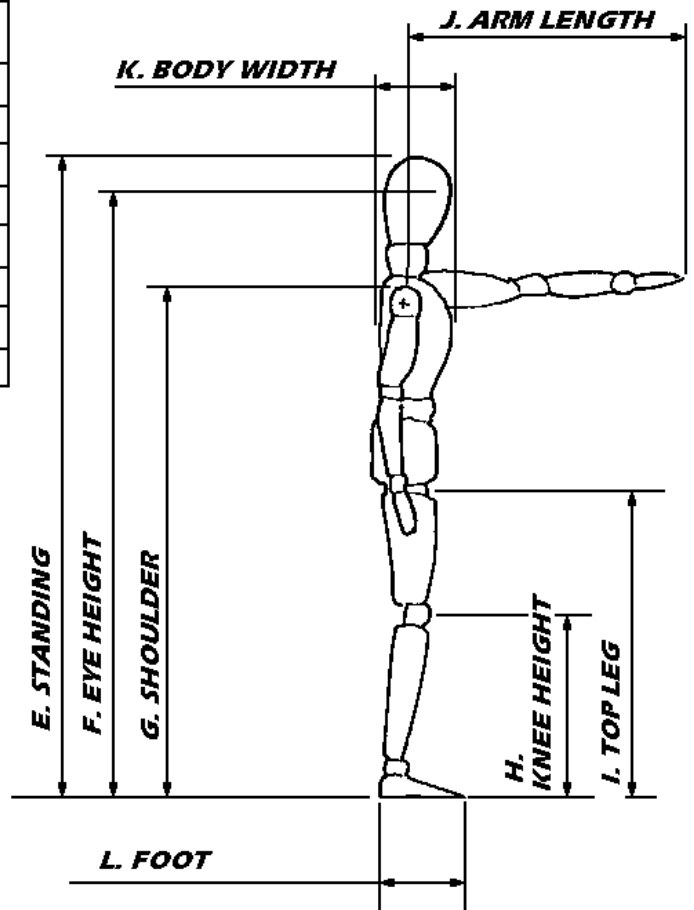
Designs based on these average values will suit most people. However they may not work for short or tall people.

F = Female

M = Male

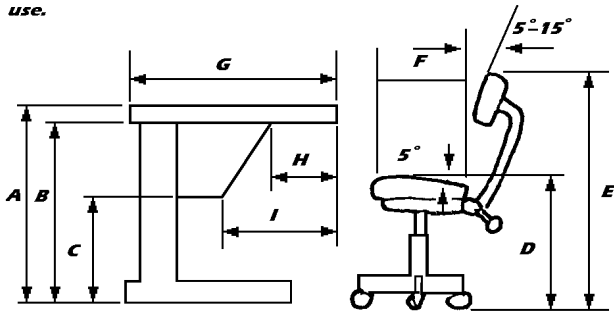
All dimensions are in millimetres

		4 Years	8 Years	12 Years	14 Years	Adult
E. STANDING	F	1039	1270	1478	1613	1605
	M	1039	1270	1499	1709	1755
F. EYE HEIGHT	F	937	1168	1376	1511	1506
	M	937	1178	1397	1607	1643
G. SHOULDER	F	772	1008	1240	1326	1265
	M	775	1011	1204	1410	1387
H. KNEE HEIGHT	F	272	351	422	445	452
	M	269	351	417	478	503



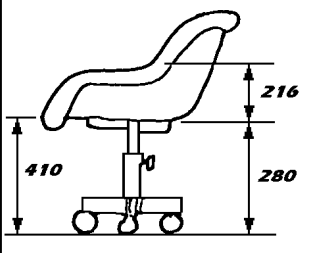
		4 Years	8 Years	12 Years	14 Years	Adult
I. TOP LEG	F.	437	577	696	734	732
	M.	437	577	693	800	833
J. ARM LENGTH	F.	417	539	653	706	666
	M.	424	546	643	754	724
K. BODY WIDTH	F.	132	137	160	175	—
	M.	132	145	163	188	229
L. FOOT	F.	165	196	216	239	244
	M.	168	196	218	249	267

From this Anthropometric Data objects can be designed for everyday use.



	A Table Height	B Thigh Height	C Leg Height	D Seat Height	E Back Rest Height	F Seat Depth	G Table Depth	H Knee Height	I Leg Length	J Seat Width	K Table Width	
3-5 Years	455	350	250	260	470-510	260	450	300	400	250	600	
5-8 Years	510	410	250	300	550-580	290	500	300	400	270	600	
8-11 Years	565	470	300	335	615-645	330	500	300	400	290	700	
11-15 Years	640	530	300	305	695-715	360	500	350	400	320	700	
15+ Years	700	590	350	420	750-780	380	500	400	450	340	700	
Adult	Min	635	610	—	406	698	380	457	—	457	406	610
	Max	737	660	—	432	762	460	760	—	457	483	711

Suggested Heights for Chairs with Arms



Stool and Worktop Heights

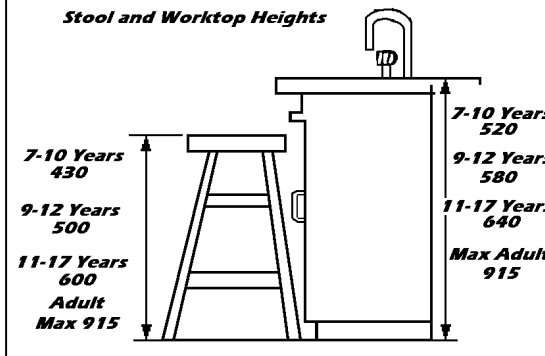
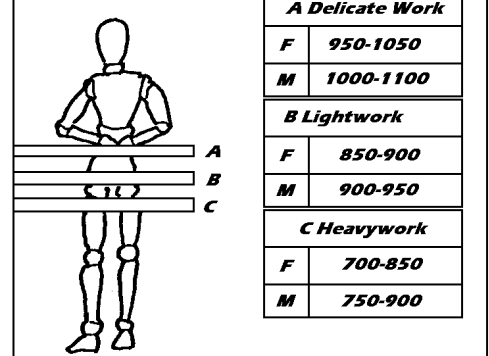
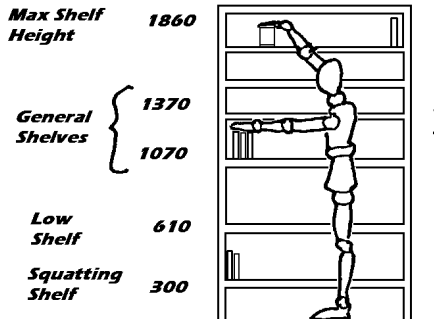


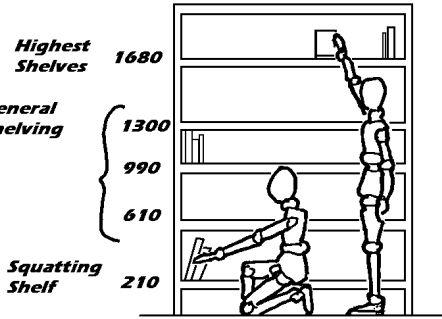
Table Tops for Standing Work



A Adults

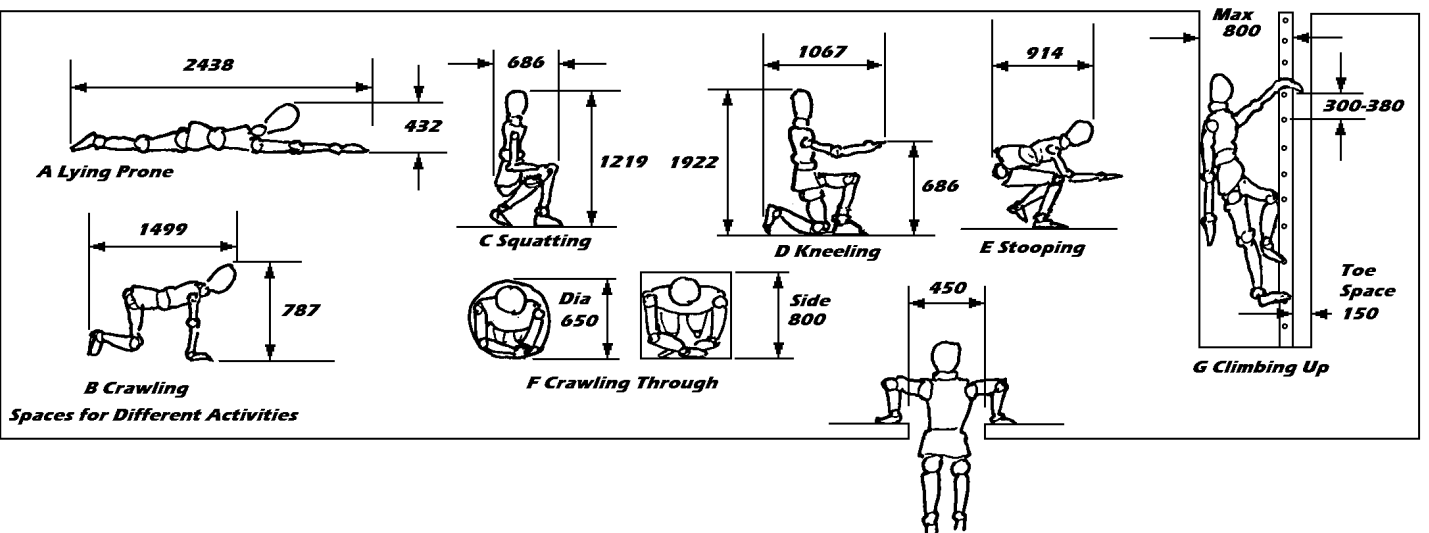
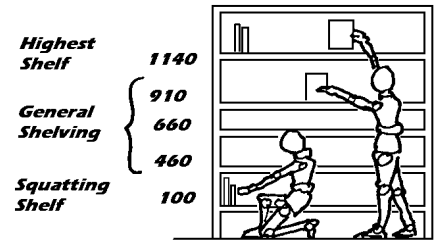


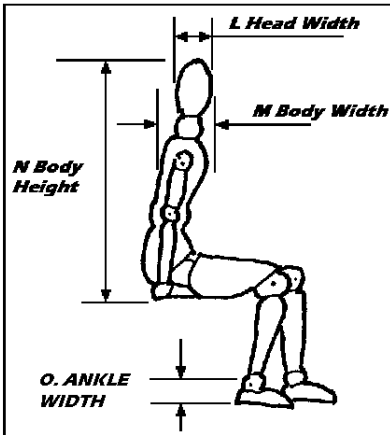
B Youths



Shelving For Various age Groups

C Children





		4 Years	8 Years	12 Years	16 Years	Adult
L Head Width	F	170	178	183	185	180
	M	175	183	185	193	196
M Body width	F	132	137	160	175	—
	M	132	145	163	188	229
N Body Height	F	587	676	770	848	—
	M	597	686	760	876	909
O Ankle Height	F	56	69	79	76	76
	M	56	69	79	84	89

